

Series V8 Ball Valve

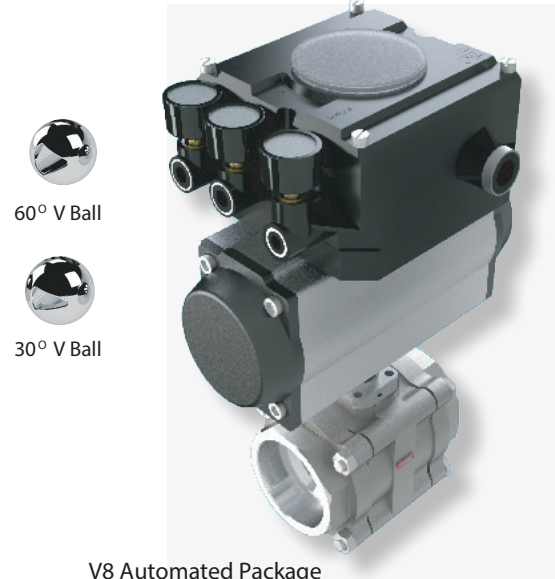
Three-Piece, Characterized "V" Ball Valve
 Sizes 1/2" ~ 2"



The SVF Series V8 Ball Valves feature a high performance design for use in critical, process-quality applications. The V8 design provides high rangeability and precision throttling required for clean or dirt liquids and gases.

SERIES V8 DESIGN FEATURES

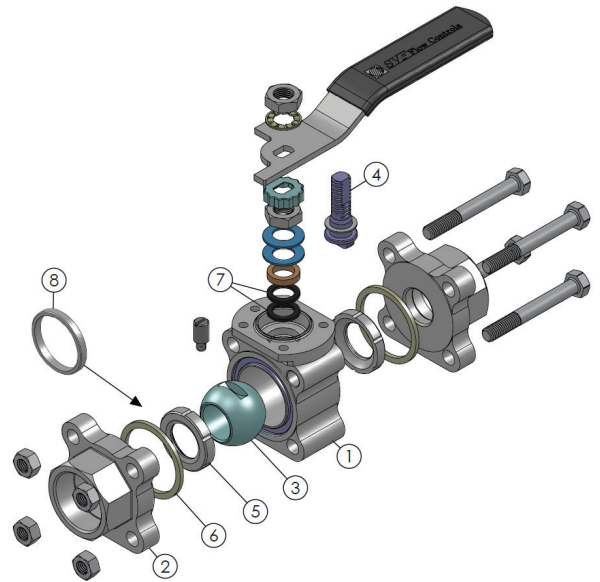
- ✓ Characterized "V" Ball with 30° and 60° V-Port provides "equal percentage" flow control
- ✓ High performance design for process-quality applications
- ✓ Encapsulated body seals to facilitate welding without disassembly
- ✓ Live-loaded stem seal ensures seal-tight pressure containment even under thermal cycling
- ✓ Three-piece "swing out" design offers easy access for in-line maintenance
- ✓ ISO 5211 mounting pad for easy actuation
- ✓ Standard seat material is SupraLon™
- ✓ Blowout proof stem adds safety & reliability
- ✓ Available with a pneumatic or electric actuator and positioner



V8 Automated Package
 (2" Valve shown with SVF *aero* 2 Actuator & SVF Positioner)

MATERIALS OF CONSTRUCTION

ITEM	DESCRIPTION	MATERIALS SPECIFICATIONS
1	Body	316 Stainless Steel (ASTM A351 CF8M) Carbon Steel (ASTM A216 WCB)
2	End Connector	316L Stainless Steel (ASTM A351 CF3M) Carbon Steel (ASTM A216 WCB)
3	Ball	316 Stainless Steel (ASTM A351 CF8M)
4	Stem	316 Stainless Steel (ASTM A276 316) 17-4 pH Stainless Steel (ASTM A564 630)
5	Seat	TFM1600™, Delrin®, SupraLon™, UHMWPE, PEEK
6	Body Seal	PTFE, Buna "N", GRAFOIL®, SupraLon™, UHMWPE, Viton®, EPDM
7	Stem Seal	SupraLon™, TFM1600™ (Optional)
8	Retainer Sizes 2-1/2" & 3"	316 Stainless Steel



HIGH PRESSURE DROPS

Engineered to withstand high pressure drops while providing leak-free operation, the SVF "V" Ball Series delivers the precise control required in today's process control industries. The rP limit is up to 500 psi for liquids and up to 300 psi for steam. Consult SVF for additional information on valve sizing and pressure drop limitations for your particular application.

What do you need today?™



Series V8 Ball Valve

Three-Piece, Characterized "V" Ball Valve
 Sizes 1/2" ~ 2"



DIMENSIONS, WEIGHT, C v, TORQUE

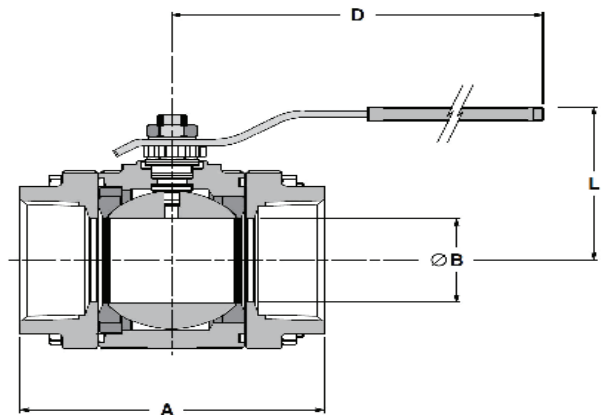
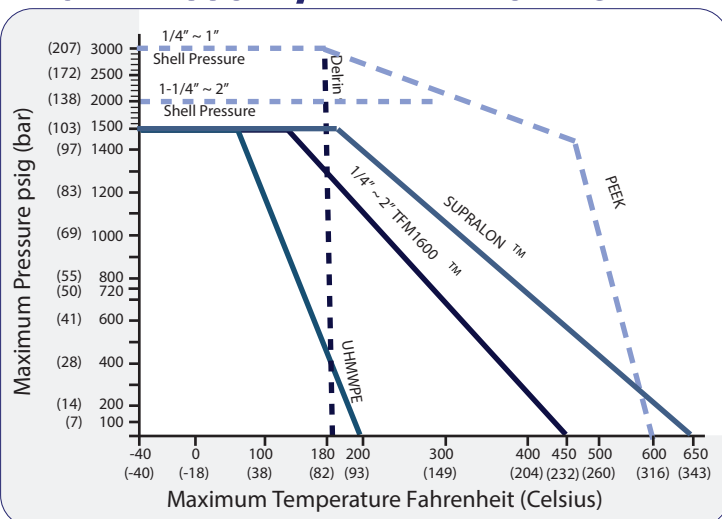
Size	A		B		D		L		Weight		Cv	Torque* TFM1600™		Torque* SupraLon™		Torque* Delrin		Torque* UHMWPE		Torque* PEEK	
	in.	mm	in.	mm	in.	mm	in.	mm	lbs	kg		in-lbf	Nm	in-lbf	Nm	in-lbf	Nm	in-lbf	Nm	in-lbf	Nm
1/2"	2.60	66	0.44	11	5	127	1.8	46	2	0.9	8	45	5	50	6	50	6	50	6	61	7
3/4"	2.81	71	0.56	14	5	127	1.9	48	2	0.9	12	45	5	50	6	60	7	75	8	130	15
1"	3.70	94	0.81	21	6	152	2.4	61	4	1.8	32	100	11	150	17	90	10	100	11	250	28
1-1/2"	4.57	116	1.25	32	7	178	3.2	81	7	3.2	80	280	32	450	51	375	42	175	20	450	51
2"	5.04	128	1.50	38	7	178	3.3	84	11	5.0	104	360	41	600	68	675	76	275	31	650	73

V8 C v VALUES

Size	V Angle	10%	20%	30%	40%	50%	60%	70%	80%	90%	100%
		1/2"	Standard Port	0.15	0.29	0.46	0.70	1.09	1.76	2.60	4.30
	30°	0.05	0.11	0.24	0.41	0.62	0.88	1.20	1.55	1.95	2.38
	60°	0.07	0.16	0.38	0.64	1.00	1.45	2.05	2.78	3.71	4.96
3/4"	Standard Port	0.21	0.43	0.70	1.05	1.62	2.64	4.00	6.40	9.60	12.00
	30°	0.02	0.13	0.27	0.44	0.65	0.94	1.30	1.75	2.37	3.20
	60°	0.10	0.27	0.57	1.04	1.55	2.21	2.93	3.85	5.04	6.48
1"	Standard Port	0.58	1.15	1.90	2.80	4.30	7.00	10.50	17.00	26.00	32.00
	30°	0.06	0.18	0.42	0.84	1.46	2.23	3.16	4.13	5.30	6.90
	60°	0.13	0.35	0.92	1.72	2.64	4.07	5.78	8.15	10.95	15.71
1-1/2"	Standard Port	1.48	2.95	4.75	7.20	11.0	18.00	27.00	44.00	65.50	80.00
	30°	0.17	0.60	0.99	1.68	2.88	4.60	6.67	9.86	13.51	17.73
	60°	0.26	0.71	2.04	3.61	6.44	9.89	13.80	19.32	27.95	37.38
2"	Standard Port	1.77	3.55	5.70	8.61	13.30	21.60	32.50	52.50	78.70	104.00
	30°	0.19	0.80	1.90	3.10	4.90	6.86	9.54	13.16	17.90	24.40
	60°	0.34	0.97	2.88	5.40	8.20	12.10	17.70	25.10	34.30	48.40

V8 - PRESSURE/TEMPERATURE CHART

* At full differential pressure for clean fluids



Class 900

Note: Maximum pressure & temperature is limited to the seat material rating

Series V8 Ball Valve

Three-Piece, Characterized "V" Ball Valve
 Sizes 1/2" ~ 2"



How To Order Guide (Columns 1 thru 11)

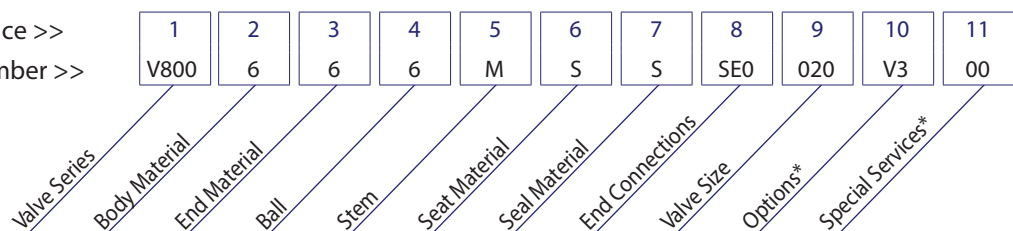
1 SERIES	2 BODY	3 ENDS	4 BALL	5 STEM	6 SEAT MATERIAL
V800	4 = Carbon Steel ASTM A216 WCB 6 = 316 Stainless Steel ASTM A351 CF8M	4 = Carbon Steel ASTM A216 WCB 6 = 316L Stainless Steel ASTM A351 CF3M	6 = 316 Stainless Steel ASTM A351 CF8M	M = 17-4pH Stainless Steel ASTM A564 630	A = TFM1600™ D = Delrin** S = SupraLon™ U = UHMWPE K = PEEK

7 BODY SEAL	8 END CONNECTIONS	9 VALVE SIZE	10 OPTIONS*	11 SPECIAL SERVICES*
T = PTFE B = Buna "N" G = GRAFOIL U = UHMWPE V = Viton E = EPDM S = SupraLon™	SE0 = Threaded Ends (FNPT) SW0 = Socket Weld Ends BW0 = Butt Weld Ends Schedule 40 wall (Standard) AAA = Threaded End X Socket Weld End AAB = Threaded End X Butt Weld (Sch-40) End AAD = Threaded End X Butt Weld (Sch-10) End Butt Weld Ends: BWA = Schedule 5 BWB = Schedule 10 BWC = Schedule 80	005 = 1/2" 007 = 3/4" 010 = 1" 015 = 1-1/2" 020 = 2"	V3 = 30° V-Port Control Ball V6 = 60° V-Port Control Ball DV = 30° V-Port Control Ball & ISO Stem Extension D7 = 60° V-Port Control Ball & ISO Stem Extension	00 = None XC = Oxygen Cleaned SF = Degreased (Silicone Free)

Order Example: (V800666MSSSE0020V300) The Part Number will contain 20 digits.

Ordering Code Sequence >>

Sample Part Number >>



*Not all Options or Special Services available on all ball valves. Consult SVF for additional information.

**Delrin Seats cannot be used for Oxygen Service