

Features

- Calibrates from ambient +10 °C to 300 °C (to 572 °F)
- Temperature display in either Celsius (°C) or Fahrenheit (°F)
- Rugged and compact bench top design
- Fast heat-up time
- Built in Fuzzy Logic controller
- Easy to see 4-Digit Dual LED display
- Superior safety with extended heat shield
- Multiple or single dry wells

Description

The DB100 mini dry block calibrator is a fast, accurate, and efficient way to ensure that your industrial temperature sensors are calibrated properly. The DB100 is accurate for RTDs, Thermocouples, Thermistors, and other types of sensors.

The DB100 is a solid dry well block that comes with various sizes of sensor holes in order to ensure that there is the minimum possible air gap between the sensor and the block.

Typical accuracies are ±0.5 °C (±0.9 °F) from a range of 10 ° (50 °F) above ambient temperature to 300 °C (572 °F).

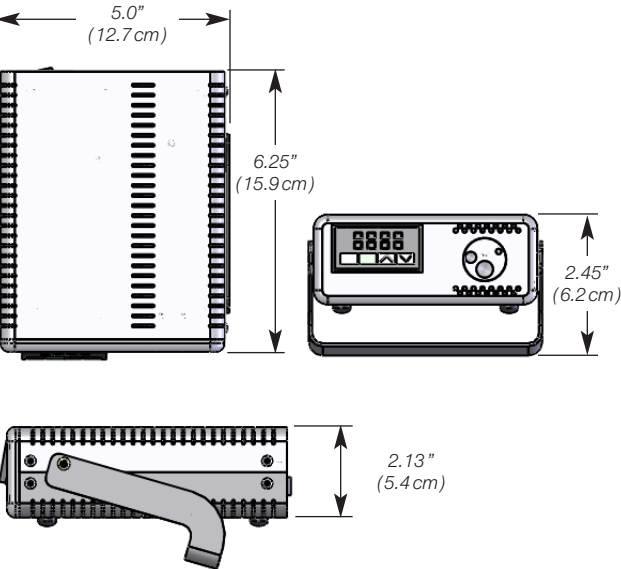
Control is possible through three buttons on the display, primarily to define the desired set point. These push-buttons, located below the display, control the power and allow for independent control of the heater.

Specifications

Ambient Temperature :	30°C to 45°C (+86°F to +113°F) max. relative humidity of 80%
Temperature Range :	30°C to 300°C (+86°F to 572 °F)
Accuracy :	±0.5 °C (±0.9°F)
Display Resolution :	0.1°C (0.1°F)
Uniformity :	±0.02 °C (±0.04°F)
Probe Max. Volume :	∅ 1.5" X L 4.0" ∅ 38.1mm X L 101.6mm
Standard Insert :	-6 Pocket: 1/16", 1/8", 2X 3/16", 5/32" and 1/4" diameter probes. -6 pockets: 6.4mm, 6.0mm, 5.0mm, 4.0mm, and 3.0mm, and 2.0mm diameter probes -1 Pocket: 1/4" diameter probe
Heating Time :	From ambient to 300°C(572°F) is approximately 7 minutes
Cooling Time :	From 300°C (572°F) to ambient is approximately 60 minutes
Indicator Units :	°C, °F
Power Requirements :	115 VAC, 3.5 Amps (400 Watts), 220 VAC optional
DB100 Dimensions :	W 5.0" X H 2.13" X D 6.25" W 127 mm X H 54 mm X D 159 mm
Weight :	3.15 lbs (1.43kg)



Dimensions



Metal Block Insert	Description
Type A	Standard Metal Inserts 1/4", 2X 3/16", 5/32", 1/8", and 1/16" diameter probes
Type B	6 pockets, 6.4mm, 6mm, 5mm, 4mm, 3mm, and 2mm diameter probes
Type C	Center 1/4" diameter probe

Custom Builder

MODEL

1

2

3

DB100 - - -

BOX1 CODE	Temperature Units
C	Celsius °C
F	Fahrenheit °F

BOX2 CODE	Metal Block Insert
A	Type A
B	Type B
C	Type C
D	Custom, Specify Holes

BOX3 CODE	Voltage
1	110 VAC 50/60 Hz
2	220 VAC 50/60 Hz