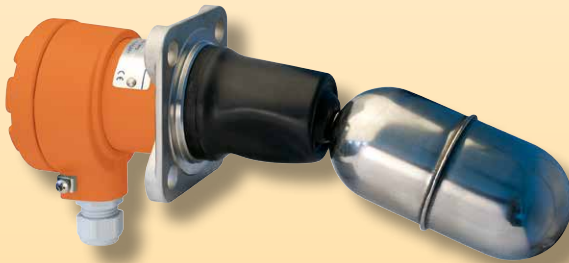
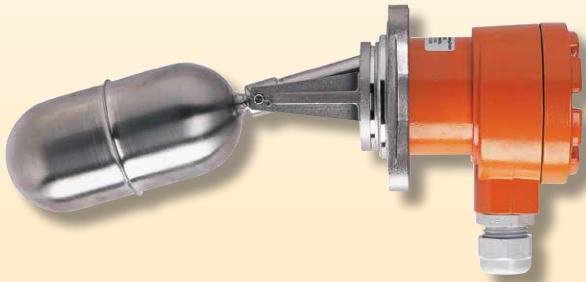


Heavy Duty Level Switch

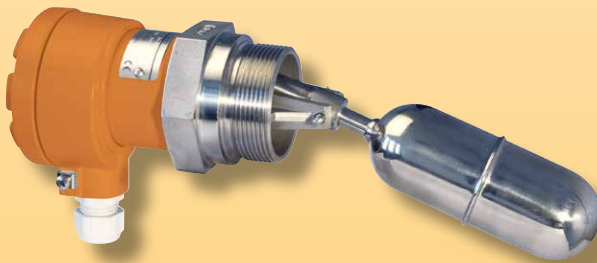


measuring
•
monitoring
•
analyzing

NGS



- Max. Temp: 480 °F
- Max. Pressure: 360 PSIG
- High Capacity, 10 A Switch
- 316-Ti SS Wetted Parts
- Ideal for Harsh Environments



KOBOLD companies worldwide:

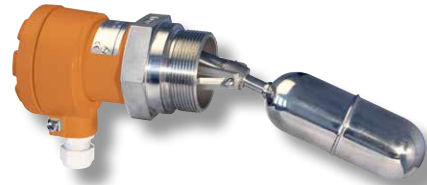
ARGENTINA, AUSTRALIA, AUSTRIA, BELGIUM, BULGARIA, CANADA, CHILE, CHINA, COLOMBIA, CZECH REPUBLIC, EGYPT, FRANCE, GERMANY, HUNGARY, INDIA, INDONESIA, ITALY, MALAYSIA, MEXICO, NETHERLANDS, PERU, POLAND, REPUBLIC OF KOREA, ROMANIA, SINGAPORE, SPAIN, SWITZERLAND, TAIWAN, THAILAND, TUNISIA, TURKEY, UNITED KINGDOM, USA, VIETNAM

KOBOLD Instruments, Inc.
1801 Parkway View Drive
Pittsburgh, PA 15205
☎ Main Office:
1.800.998.1020
1.412.788.4890
✉ info@koboldusa.com
www.koboldusa.com



Description

The KOBOLD NGS is a rugged level switch built for the harshest of environments. All wetted parts are constructed of 316-Ti stainless steel. The SPDT switch is activated by a permanent magnet external to the switch housing so that no exposure occurs between the process media and the switch internals. This mode of operation results in a very reliable switch which requires no external power to operate. The high-capacity, 10 Amp mechanical switch will directly operate most electrical loads such as relays, solenoid valves and motor starters. Common applications include: minimum or maximum level monitoring of tanks or vessels when only a side mounted installation is possible.



Technical Details

Media Temperature

- NGS-21: -4...480 °F
- NGS-51: 32...212 °F
- NGS-61: 32...390 °F
- ATEX Models: See Table Below
- Ambient Temperature: -4...176 °F (ATEX Models See Below)
- Max. Pressure: 360 PSIG
- Min. S.G. of Media: 0.7
- Wetted Parts: 316-Ti Stainless Steel

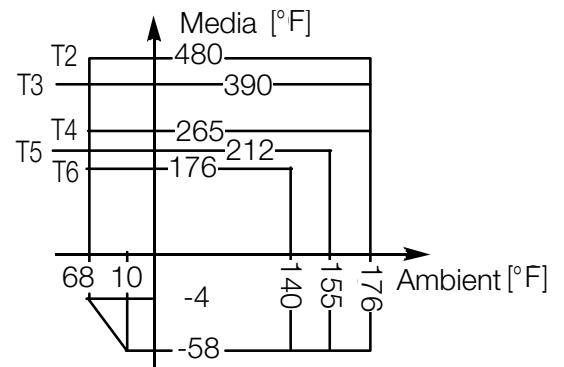
- Housing Material: Epoxy-coated Aluminum
- Flat Gasket: Klingert
- Fittings: 2" NPT or Square Flange (Mating Flange Sold as Accessory)
- Switch Type: Mechanical, SPDT

- Switch Rating
 - Standard: 250 V_{AC}, 10 A; 220 V_{DC}, 0.6 A
 - ATEX: 250 V_{AC}, 2.5 A; 220 V_{DC}, 0.3 A
- Switch Hysteresis: Approximately 3/4"

- Electrical Connection
 - Standard: Cable Gland, PG 13.5
 - Optional: 1/2" NPT Conduit

- Electrical Protection: IP65
- Shipping Weight: Approximately 7.5 lbs
- ATEX Approval: II 1/2 G Ex de mb IIC T6...T2 Ga/Gb

ATEX Temperature Limit Diagram: The applicable media temperature range is limited by this diagram.



Temperature Diagram for ATEX Versions*

Class	T6	T5	T4	T3	T2
Max. Process Temperature	176°F	200°F	265°F	390°F	480°F
Ambient Temperature	-4...140°F	-4...155°F	-4...176°F	-4...176°F	-4...176°F

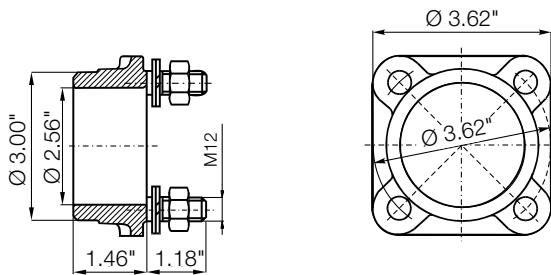
*Except: NGS-51 T_{media}: 32...212°F
 NGS-61 T_{media}: 32...390°F

Order Details (Example: **NGS-21N0**)

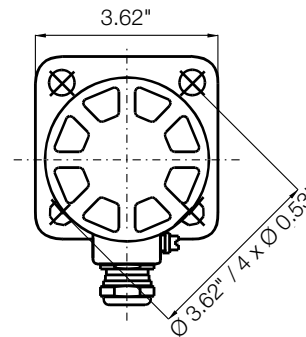
Model	Version	Connection	Options
NGS-	..21.. = Standard	..00 = 3.62" Square Flange ..N0 = 2" NPT	..C = 1/2" NPT Conduit Connection ..Ex = ATEX Version
	..51.. = Standard with Rubber Protection Sleeve	..00 = 3.62" Square Flange	
	..61.. = Standard with Silicone Protection Sleeve		
Accessories			
NGS-MFF1	Carbon Steel Mating Weld-on Flange		
NGS-MFF2	316L Stainless Steel Mating Weld-on Flange		

Dimensions

Mating Weld-on Flange Accessory NGS-MFF..

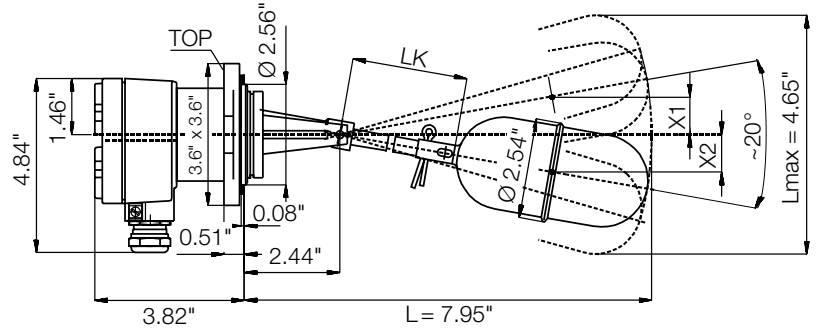


Square Flange



Dimensions

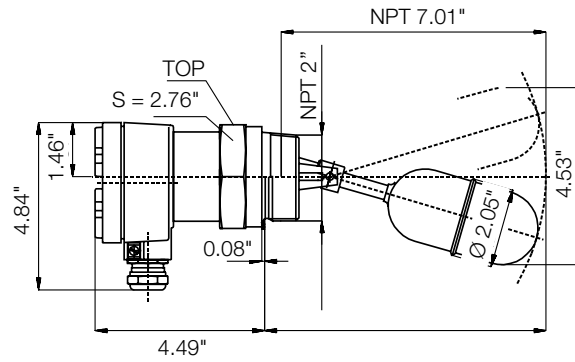
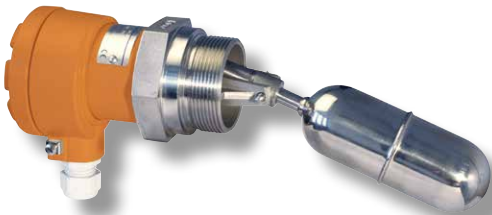
NGS-2100 Square Flange Version



Switching Data Model NGS-21..	
LK = linkage length	0
L = protrusion length	7.95"
L _{max} = total swing	4.65"
X1 = high switch point	0.47"
X2 = low switch point	0.47"

Note: The data applies to water at 68°F, tolerance ± 5 mm

NGS-21N0 Threaded Connection Version



NGS-5100 and NGS-6100 Square Flanged Version with Protection Sleeve

