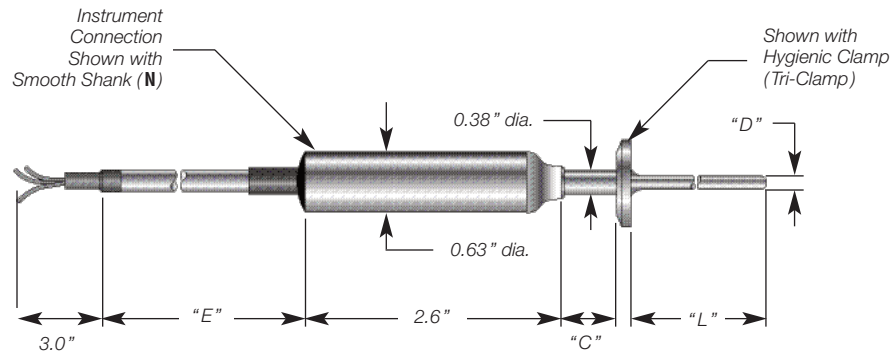


MIST MS01

Mini Sanitary Temperature Sensor
w/Extension Cable



Patent No.: US 7,223,014
CND 2,561,570

Custom Builder

MODEL 1 2 3 4 5 6 7 8 9 10 11

MS01 - [] - [] - [] - [] - [] - [] - [] - [] - [] - [] - []

BOX 1 CODE	Calibrated Temperature Range
05	0°C to 50°C (32/122°F)
10	0°C to 100°C (32/212°F)
15	0°C to 150°C (32/302°F)
20	0°C to 200°C (32/392°F)
55	-50°C to 50°C (-58/122°F)
51	-50°C to 150°C (-58/302°F)
52	-50°C to 200°C (-58/392°F)
L*	-50°C to 200°C (-58/392°F)
H*	-200°C to 600°C (-328/1112°F)

* Code **L** & **H** are not factory calibrated. Requires customer calibration using the **MIST PKIT**.

Notes:

- MIST Temperature Sensors™ are factory calibrated at one point to an accuracy of ±0.12°@0°C or better. See MIST specs.
- For non-standard temperature ranges, indicate desired value in °C or °F in Box1 or see web site www.intempco.com.
- Order **MIST PKIT** for sensor customization.

BOX 2 CODE	Output
LP	4-20 mA loop, upscale burnout (std.)
LD	4-20 mA loop, downscale burnout
VA	0-5 Vdc, 3-wire
VB	1-5 Vdc, 3-wire
VD	0-10 Vdc, 3-wire

Other outputs available. Consult factory.

BOX 3 CODE	Probe Diameter "D"
B	1/8"
40	0.156" (4.0mm)
C	3/16"
D	1/4"

Other diameters available. Consult factory.

BOX 4 CODE	Probe Material
S	Stainless steel 316/316L

Other materials available. Consult factory.

BOX 5 CODE	Probe Length "L"
---	In 0.1" increments Ex.: 012 = 1.2" long

BOX 6 CODE	Extension Length "C"
N --	In 0.1" increments (1.0" Std.) Ex.: N10 = 1.0" long

BOX 7 CODE	Instrument Connection
N	None, smooth shank
SR	Strain Relief

Other connections available. Consult factory.

BOX 8 CODE	Process Fitting Type / Size
T12	Hygienic clamp union, 1/2"
T34	Hygienic clamp union, 3/4"

BOX 9 CODE	Extension Cable Type
PV	PVC insulation, 90°C (195°F) max.
TF	Teflon® insulation, 200°C (392°F) max.
TP	Teflon® with SS armor and polyolefin shrink, 90°C (195°F) max.
TT	Teflon® with SS armor and Teflon® shrink, 200°C (392°F) max.

Note : 1. Leads "E" length 12" and less are single conductor Teflon® insulation, 22 AWG

BOX 10 CODE	Extension Cable Length "E"
---	In inches Ex.: 060 = 60" long

BOX 11 CODE	Surface Finish
SF	32µ-in (0.8µm) Ra max. or better
F1	20µ-in (0.5µm) Ra max., w/o EP
F4	15µ-in (0.4µm) Ra max., with EP