

# Manifold Valves for VKG and VKM Flowmeters

For Lubricating Oil Circuits



measuring  
•  
monitoring  
•  
analyzing

BVB



- Designed to Centralize Flow Measurement and Distribution
- Ability to Join up to 8 Units Into an Integrated Valve Block
- Easy to Install
- Max. Pressure: 930 PSI
- Connection: 1/2" NPT



KOBOLD companies worldwide:

ARGENTINA, AUSTRALIA, AUSTRIA, BELGIUM, BULGARIA, CANADA, CHILE, CHINA, COLOMBIA, CZECH REPUBLIC, EGYPT, FRANCE, GERMANY, HUNGARY, INDIA, INDONESIA, ITALY, MALAYSIA, MEXICO, NETHERLANDS, PERU, POLAND, REPUBLIC OF KOREA, ROMANIA, SINGAPORE, SPAIN, SWITZERLAND, TAIWAN, THAILAND, TUNISIA, TURKEY, UNITED KINGDOM, USA, VIETNAM

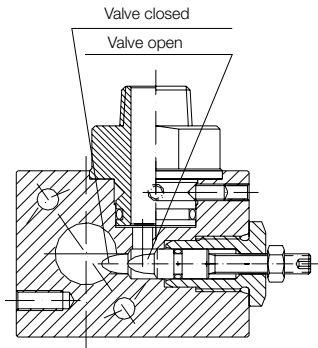
KOBOLD Instruments, Inc.  
1801 Parkway View Drive  
Pittsburgh, PA 15205  
Main Office:  
1.800.998.1020  
1.412.788.4890  
info@koboldusa.com  
www.koboldusa.com



**Description**

For centralized flow measurement and distribution we recommend KOBOLD BVB manifold valves. With the ability to join up to 8 flowmeters onto an integrated valve block, the BVB offers a compact and tidy solution to your distribution problems. The BVB is designed for use with our VKG and VKM flowmeters. The total throughput of the BVB is limited to 6.3 GPM due to size restrictions. To supply a BVB manifold with media, a pump with a 20–30% overcapacity is required to ensure that each branch receives adequate flow. To protect your instrument, this overcapacity must be able to return to the media supply tank through a pressure limiting regulator. We recommend between 100 PSI and 235 PSIG.

**Design**



**Order Details**

Model	Order Number		Flowmeter Type
	Manifold Valve Mounted*	Manifold Valve Only	
Single Fold	BVB-4101	BVB-5101	..Z = For VKM Series or VKG-9000 Series
Double Fold	BVB-4102	BVB-5102	
3-Fold	BVB-4103	BVB-5103	
4-Fold	BVB-4104	BVB-5104	
5-Fold	BVB-4105	BVB-5105	
6-Fold	BVB-4106	BVB-5106	
7-Fold	BVB-4107	BVB-5107	
8-Fold	BVB-4108	BVB-5108	

\*Select Desired VKG or VKM Flowmeter for Mounting. Please Note Flowmeter Price is Not Included in BVB Pricing.

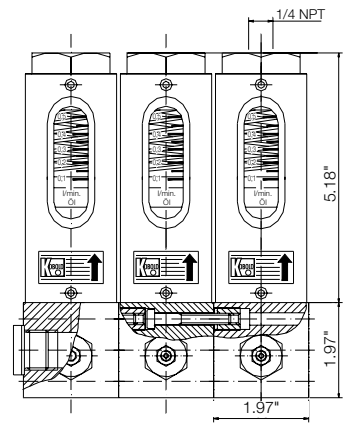
\*\*When ordering, please specify whether the piping inlet connection is to be mounted on the right or left side of the valve block.

**Specifications**

- Fitting:** 1/2" NPT  
(Please Specify Model VKG or VKM)
- Housing:** Anodized Aluminum
- Seal:** NBR
- Max. Flow Rate:** 6.3 GPM
- Max. Temperature:** 212 °F
- Max. Pressure:** 930 PSI  
(Please Observe any Limitations of the Flowmeter)
- K<sub>v</sub> Value:** 7.3 PSI at 2.5 GPM (Water)  
14.5 PSI at 3.7 GPM (Water)  
29.0 PSI at 5.3 GPM (Water)

**Dimensions**

3-Fold Block with VKG-6000 or VKG-7000 Flowmeter



3-Fold Block with VKM or VKG-9000 Flowmeter

