



## Applications and Uses

MIST M25 assemblies can be used in applications similar to those of the MIST M22 where a quick disconnect feature is preferable. These devices are typically installed in laboratory test equipment, mobile equipment, hydraulic power units, generators and skids.

USA Patent No.: 7,223,014  
CDN Patent No.: 2,561,570

## Stock Items

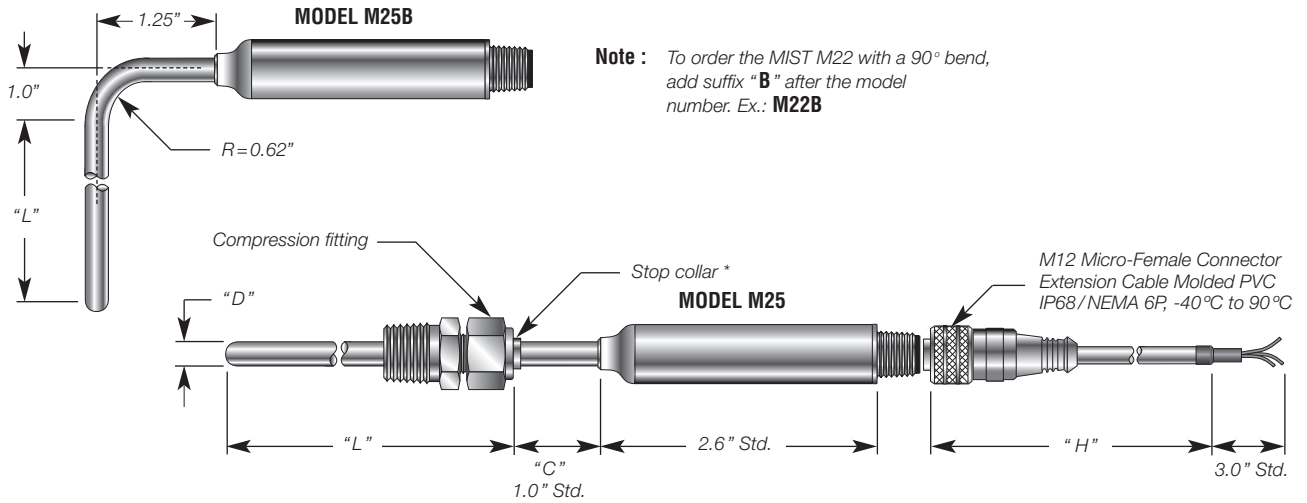
Intempco stocks the most commonly used MIST M25 assemblies with the following features:

- *Factory calibrated 4-20 mA output to a customer specified temperature range*
- *Operating temperature range of -50 to 200 °C (-58 to 392 °F)*
- *Order MIST PKIT programming kit to re-program and re-calibrate in-house*
- *1/4" probe diameter, stainless steel 316*
- *Adjustable compression fitting not included, order separately*
- *Cable not included, order separately*
- *Probe lengths available are 4", 6", 9" and 12"*

To order a MIST M25 with 4" probe with a range of -25 to 125°C, specify the inventory number and temperature range, ex.: M25L-N-040 (-25/125 °C) on your order. To calibrate the MIST M25 in house, order the Intempco MIST PKIT which includes the module and software.

## Ordering Information (Order using Intempco inventory number)

Catalog Number	Inventory Number	Probe Length "L"
M25-L-LP-D-S-040-N10-N-0-MC-N	M25L-N-040	4.0"
M25-L-LP-D-S-060-N10-N-0-MC-N	M25L-N-060	6.0"
M25-L-LP-D-S-090-N10-N-0-MC-N	M25L-N-090	9.0"
M25-L-LP-D-S-120-N10-N-0-MC-N	M25L-N-120	12.0"



**Note :** To order the MIST M22 with a 90° bend, add suffix "B" after the model number. Ex.: **M22B**

\* No stop collar option, "C" = N00  
Stop collar recommended for temperature above 100°C

USA Patent No.: 7,223,014  
CDN Patent No.: 2,561,570

## Custom Builder

MODEL      1      2      3      4      5      6      7      8      9      10

**M25** -  -  -  -  -  -  -  - **0** -  -  -

BOX1 CODE	Calibrated Temperature Range
05	0°C to 50°C (32/122°F)
10	0°C to 100°C (32/212°F)
15	0°C to 150°C (32/302°F)
20	0°C to 200°C (32/392°F)
55	-50°C to 50°C (-58/122°F)
51	-50°C to 150°C (-58/302°F)
52	-50°C to 200°C (-58/392°F)
L*	-50°C to 200°C (-58/392°F)
H*	-200°C to 600°C (-328/1112°F)

\* Code **L** & **H** are not factory calibrated. Requires customer calibration using the **MIST PKIT**.

### Notes:

- MIST Temperature Sensors™ are factory calibrated at one point to an accuracy of ±0.12°@0°C or better. See MIST specs.
- For non-standard temperature ranges, indicate desired value in °C or °F in Box1 or see web site [www.intempco.com](http://www.intempco.com).
- Order **MIST PKIT** for sensor customization.

BOX2 CODE	Output
LP	4-20mA loop, upscale burnout (std.)
LD	4-20mA loop, downscale burnout
VA	0-5 Vdc, 3-wire
VB	1-5 Vdc, 3-wire
VD	0-10 Vdc, 3-wire

Other outputs available. Consult factory.

BOX3 CODE	Probe Diameter "D"
B	1/8"
C	3/16"
D	1/4"
F	3/8"
H	1/2"

Other diameters available. Consult factory.

BOX4 CODE	Probe Material
S	Stainless steel 316/316L

Other materials available. Consult factory.

BOX5 CODE	Probe Length "L"
----	In 0.1" increments Ex.: <b>065</b> = 6.5" long

BOX6 CODE	Extension Cold Leg Length "C"
N__	In 0.1" increments (1.0" Std.) Ex.: <b>N10</b> = 1.0" long

BOX8 CODE	Fitting Type
0	None
A**S	Adjustable fitting*
<b>Ferrule material :</b> A = Stainless steel* B = Brass* T = Teflon® * Not readjustable with metal ferrule	
<b>Fitting material :</b> S = Stainless steel B = Brass Ex.: <b>T14B</b> = Teflon® ferrule, 1/4" NPT, Brass fitting	
<b>Process NPT size :</b> ** 18 = 1/8" NPT      14 = 1/4" NPT 38 = 3/8" NPT      12 = 1/2" NPT 34 = 3/4" NPT      44 = 1" NPT	

BOX9 CODE	Connector Type
MC	M12 Micro-Male Connector

Other types of connectors available. Consult factory.

BOX10 CODE	Extension Cable Length "H"
N	None
A2	Straight, 2 meters
A5	Straight, 5 meters
B2	Right angle, 2 meters
B5	Right angle, 5 meters